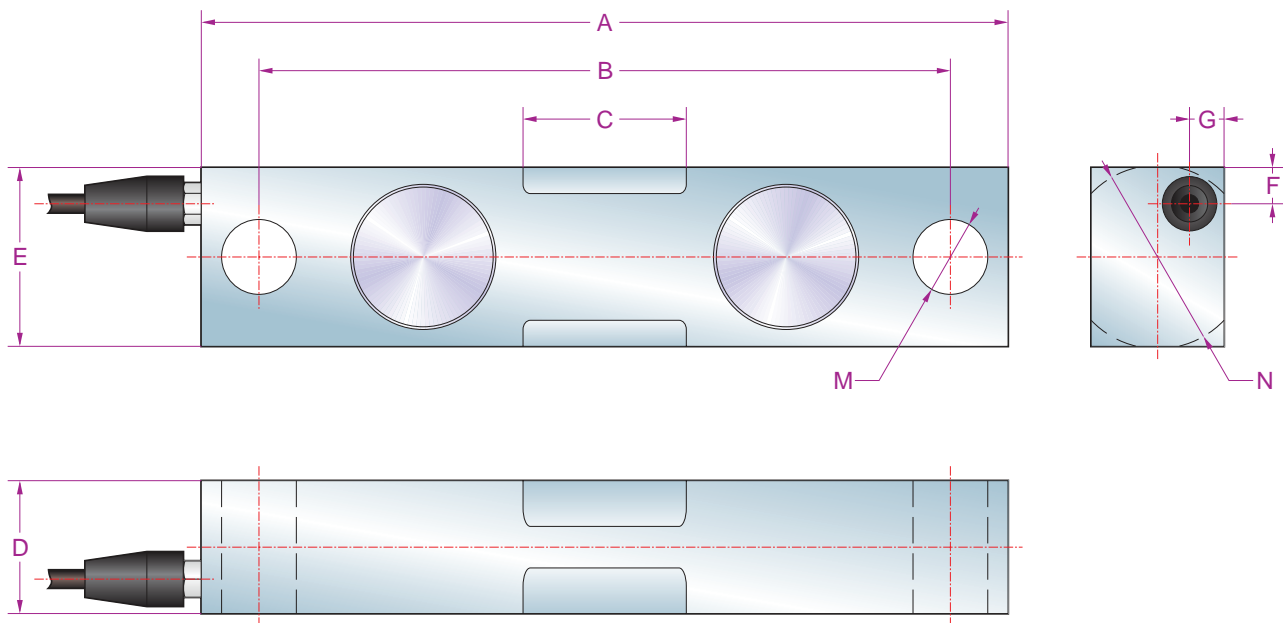


## Features

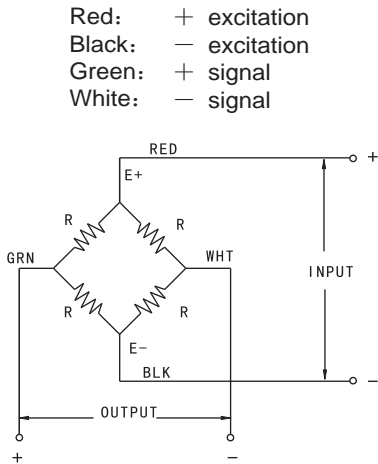
- Shear Beam Load Cell
- Nickel Plated
- Easy to Install, Stable & Reliable
- Suitable for Tension Measurement,
- Rated up to IP67
- Equivalent to: Rice Lake RL75016, Vishay Sensortronics 65016

## Dimensions

Capacity		A	B	C	D	E	F	G	H	M	N
2500 - 5000 lb	in	7.50	6.25	1.18	1.22	1.22	0.24	0.31	1.26	0.49	1.24
	mm	190.5	158.8	30.0	31.0	31.0	6.1	7.9	32.0	12.5	31.5
10,000 - 30,000 lb	in	8.75	7.50	1.77	1.44	1.94	0.39	0.37	1.26	0.81	1.99
	mm	222.3	190.5	45.0	36.6	49.3	10.0	9.5	32.0	20.6	50.6
50,000 - 75,000 lb	in	13.50	11.50	3.39	2.44	2.94	0.54	0.83	0.67	1.31	2.98
	mm	342.9	292.1	86.0	62.0	74.6	13.8	21.0	17.0	33.3	75.7



## Schematic



## Capacities / Model

2,500 lb	DBS-2.5K
5,000 lb	DBS-5K
10,000 lb	DBS-10K
15,000 lb	DBS-15K
20,000 lb	DBS-20K
25,000 lb	DBS-25K
30,000 lb	DBS-30K
50,000 lb	DBS-50K
75,000 lb	DBS-75K

## Specifications

Rated Output	3.0mV/V $\pm$ 0.1%
Zero Balance	$\pm$ 1% of rated output
Creep after 30 minutes	$\pm$ 0.03% of rated output
Nonlinearity	$\pm$ 0.03% of rated output
Hysteresis	$\pm$ 0.02% of rated output
Repeatability	$\pm$ 0.02% of rated output
Temp. effect on output	$\leq$ 0.002% of applied output/ $^{\circ}$ C
Temp. effect on zero	$\leq$ 0.002% of rated output/ $^{\circ}$ C
Safe Temp. Range	-10 $^{\circ}$ C to + 80 $^{\circ}$ C
Temp. Compensated	-10 $^{\circ}$ C to + 50 $^{\circ}$ C
Safe Overload	1.5 X rated capacity
Input Impedance	775 ohm $\pm$ 5 ohm
Output Impedance	700 ohm $\pm$ 3 ohm
Insulation Resistance	$\geq$ 5000 M ohm (50V DC)
Rated Excitation	10V DC/AC
Maximum Excitation	20V DC/AC
Cable Length	20 ft (6 m)
Cable Color Code	Red(+E) Black(-E) Green(+S) White(-S)